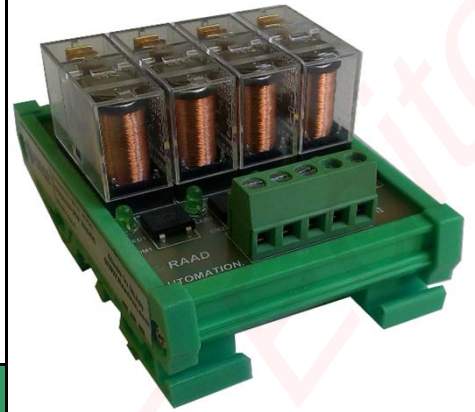
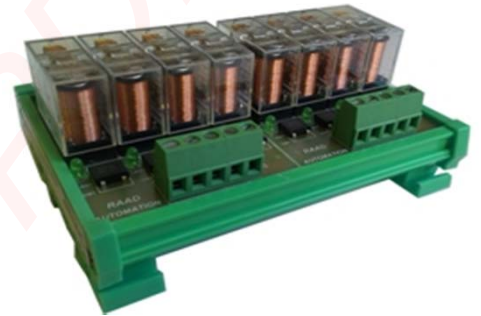


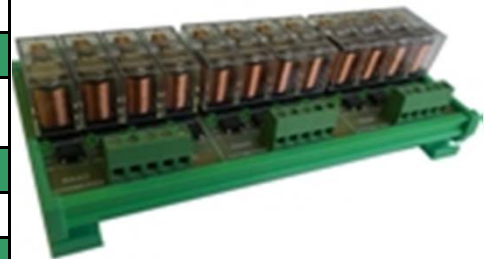
24V DC relay



CONTACT: 4N.O 2N.C



CONTACT: 8N.O 4N.C



CONTACT: 12N.O 6N.C

AC/DC control voltage	
Dc without polarity	
Status LED display	

--	--

INPUT TECHNICAL DATA

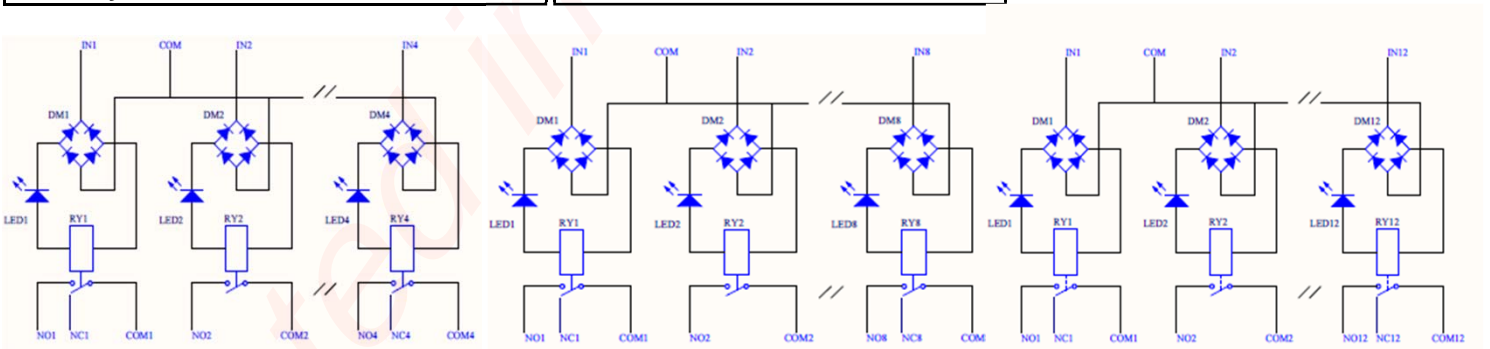
Rate Voltage DC(without polarity)	24 v DC
Rate Current(1 chanel)	34.6mA
TURN ON time	15ms
TURN OFF time	10msAC/5ms DC
Protecthon Circuit	Damping and polarity
Max.Switching Voltage	380 VAC,125VDC
Max.Switching current	16A

OUT PUT TECHNICAL

Rated Load(resistive)	10A at 250VAC,10A at 30 VDC
Relay Life time	20.000.000 operations min
Rated Load (inductive load)	10 A at 250 VAC,10 A at 30VDC

GENERAL TECHNICAL DATA

Operating temperature range	-40~+70°C
Coil/contact isolation	5Kvac/60HZ S
Isolation between out put terminals	10KVac/60 S (between open contact)
Statuses display	green LED
Connection terminal	2.5mm2 fixed screw type
Approx.Weight	150gr 280gr 410 gr
Humidity	85%RH or less



RELAY-4CH

RELAY-8CH

RELAY-12CH

type \ size	W(mm)	H(mm)	D(mm)
4CH	60	85	50
8CH	115	85	50
12CH	170	85	50