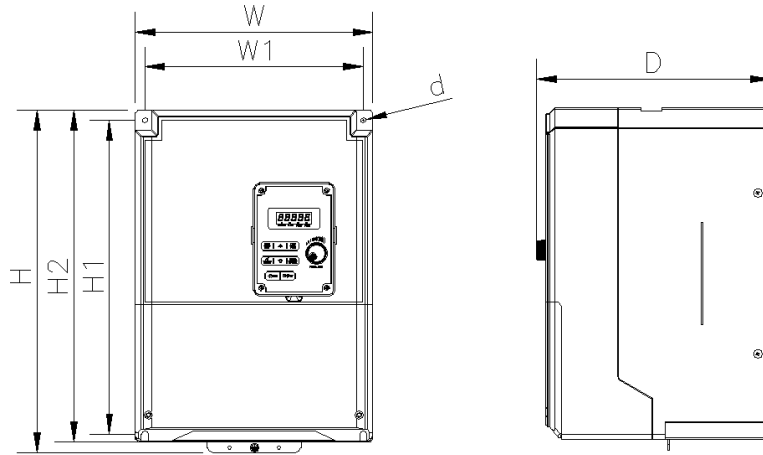


3.8 Overall Dimension drawing

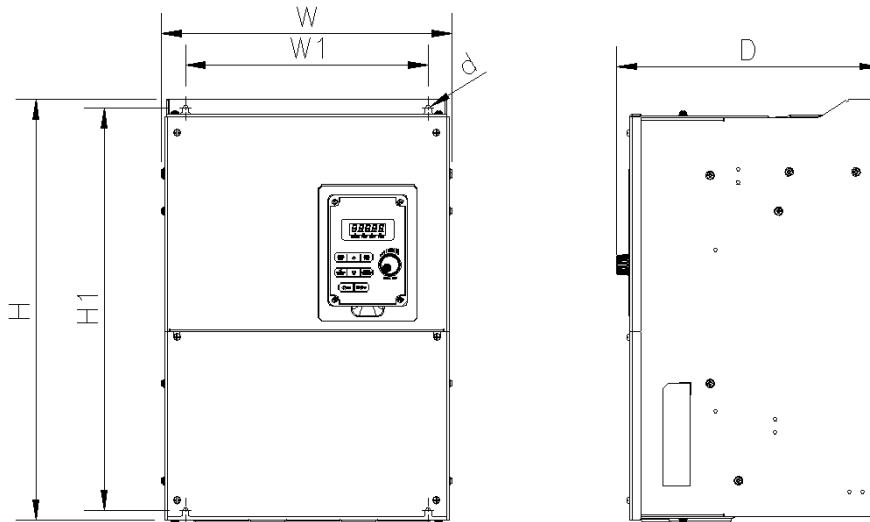
Standard Model

(a) 380V :15-20HP (IP20)



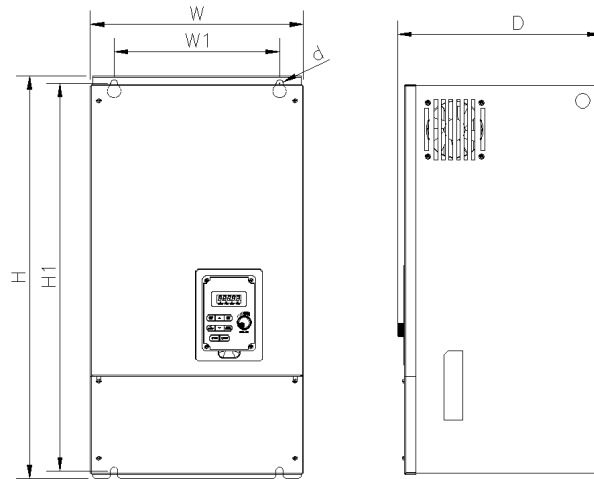
Inverter Model	Dimension (mm)							GW(kg)	Notes
	W	H	D	W1	H1	H2	d		
T310-4015-H3C	215	315	212	198	284	300	M5	6.2	
T310-4020-H3C	215	315	212	198	284	300	M5	6.2	

(b) 380V :25-30HP (IP20)



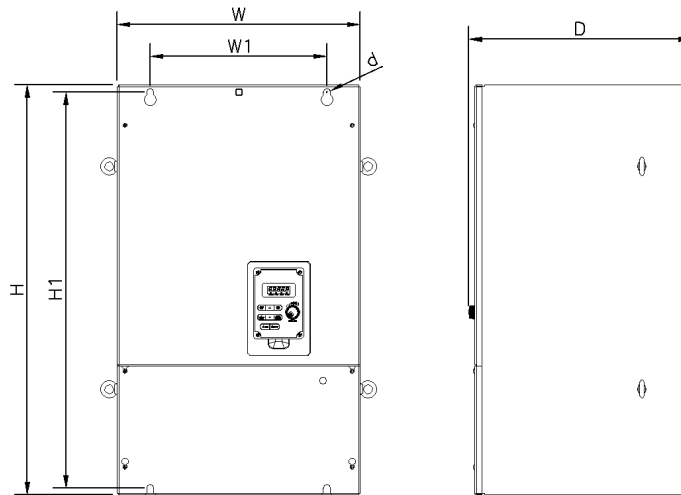
Inverter Model	Dimension (mm)							GW(kg)	Notes
	W	H	D	W1	H1	d			
T310-4025-H3C	256	378	234	218	360	M6	15		
T310-4030-H3C	256	378	234	218	360	M6	15		

(c) 380V :40-75HP (IP20)



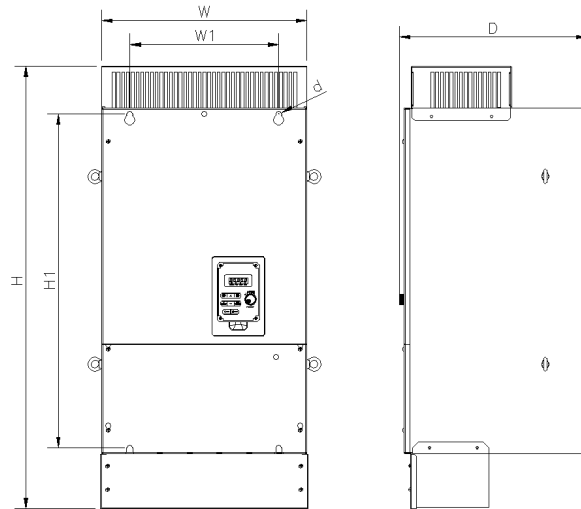
Inverter Model	Dimension (mm)							Notes
	W	H	D	W1	H1	d	GW(kg)	
T310-4040-H3C	284	535	270	220	515	M8	30	
T310-4050-H3C	284	535	270	220	515	M8	30	
T310-4060-H3C	323	575	292	220	553	M8	40	
T310-4075-H3C	323	575	292	220	553	M8	40	

(d) 380V :100-215HP (IP00)



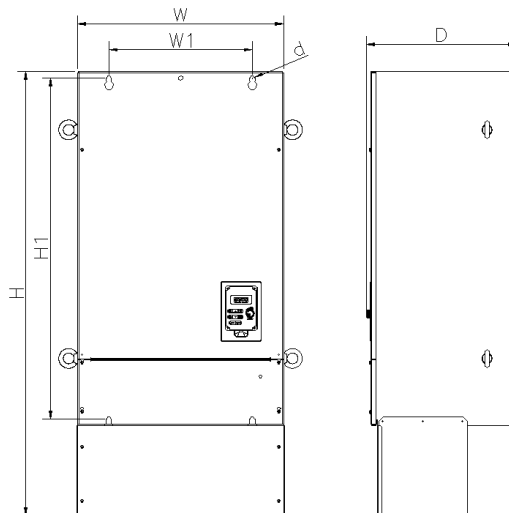
Inverter Model	Dimension (mm)							Notes
	W	H	D	W1	H1	d	GW(kg)	
T310-4100-H3C	344	580	315	250	560	M8	42	
T310-4125-H3C	344	580	315	250	560	M8	42	
T310-4150-H3C	459	790	333	320	760	M10	81	
T310-4175-H3C	459	790	333	320	760	M10	81	
T310-4215-H3C	459	790	333	320	760	M10	81	

(e) 380V :100-125HP (IP20)



Inverter Model	Dimension (mm)							Notes
	W	H	D	W1	H1	d	GW(kg)	
T310-4100-H3C	344	742	315	250	560	M8	46	Need the replacement parts JN3-NK-A07
T310-4125-H3C	344	742	315	250	560	M8	46	

(f) 380V :150-215HP (IP20)



Inverter Model	Dimension (mm)							Notes
	W	H	D	W1	H1	d	GW(kg)	
T310-4150-H3C	459	990	333	320	760	M10	85	Need the replacement parts JN3-NK-A08
T310-4175-H3C	459	990	333	320	760	M10	85	
T310-4215-H3C	459	990	333	320	760	M10	85	